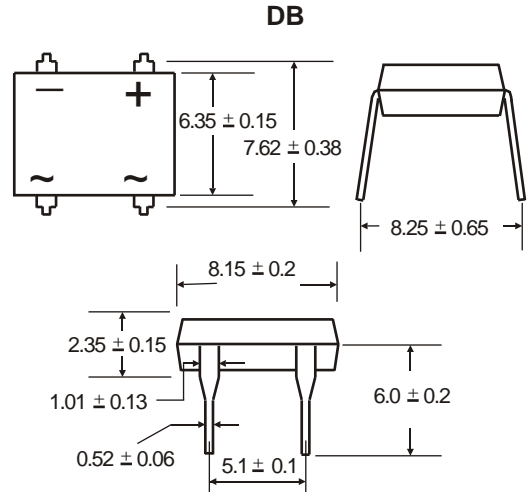


Features

- This series is UL listed under the Recognized Component Index, file number E142814
- The plastic material used carries Underwriters Laboratory flammability recognition 94V-0
- Surge overload ratings to 50 amperes
- Ideal for printed circuit board application
- High temperature soldering guaranteed 260 °C /5 seconds at 5 lbs (2.3kg) tension

Mechanical Data

- Case: Molded plastic
- Terminals: Plated leads solderable per MIL-STD-202, Method 208
- Polarity: Marked on body
- Mounting Position: Any
- Weight: 0.34 grams (approx)



Dimensions in millimeters (1mm =0.0394")

MAXIMUM RATINGS AND ELECTRICAL CHARACTERISTICS

(Rating at 25°C ambient temperature unless otherwise specified. Single phase ,half wave ,60Hz, resistive or inductive load. For capacitive load, derate current by 20%.)

		Symbols	DB201	DB202	DB203	DB204	DB205	DB206	DB207	Units
Maximum Recurrent Peak Reverse Voltage		V_{RRM}	50	100	200	400	600	800	1000	Volts
Maximum RMS Voltage		V_{RMS}	35	70	140	280	420	560	700	Volts
Maximum DC Blocking Voltage		V_{DC}	50	100	200	400	600	800	1000	Volts
Maximum Average Forward Rectified Current		$I_{(AV)}$	2.0							Amp
Peak Forward Surge Current 8.3ms single half sine-wave superimposed on rated load (JEDEC method)		I_{FSM}	60							Amps
Maximum Instantaneous Forward Voltage at 1.0 A DC		V_F	1.1							Volts
Maximum DC Reverse Current at rated DC blocking voltage	$T_A=25^{\circ}C$	I_R	10							μA
	$T_A=125^{\circ}C$		500							
Typical junction capacitance(Note 1)		C_j	25							pF
Typical thermal resistance(Note 2)		$R_{\theta JA}$	40							K/W
Operating junction and storage temperature range		T_J T_{STG}	-55 to +150							°C

Note: 1. Measured at 1MHz and applied reverse voltage of 4.0 Volts.

2. Thermal resistance junction to ambient mounted on P.C.B. With 05*0.5 inches(1.3*1.3mm) copper pads

FIG.1-TYPICAL FORWARD CURRENT DERATING CURVE

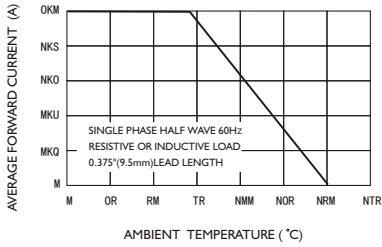


FIG.2-MAXIMUM NON-REPETITIVE FORWARD SURGE CURRENT

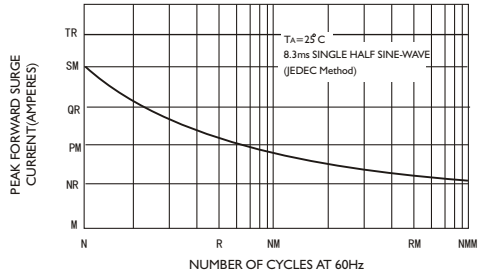


FIG3-TYPICAL JUNCTION CAPACITANCE

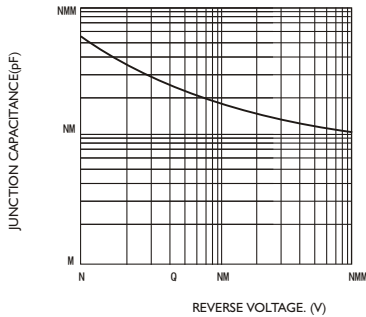


FIG4-TYPICAL FORWARD CHARACTERISTICS

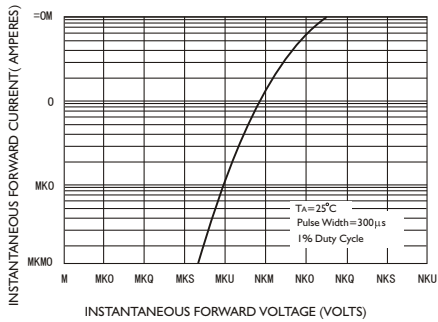


FIG.5-TYPICAL REVERSE CHARACTERISTICS

