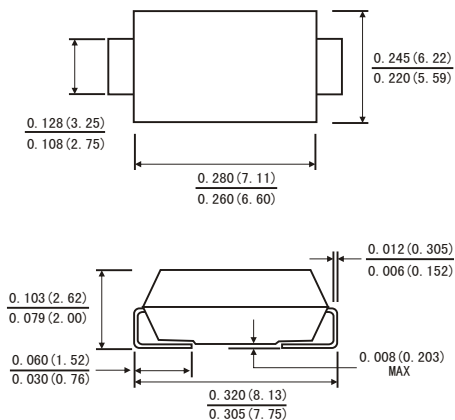


FEATURES

- Plastic package has Underwriters Laboratory Flammability Classification 94V-0
- Metal silicon junction ,majority carrier conduction
- For surface mount applications
- Low power loss ,high efficiency
- High current capability ,Low forward voltage drop
- Low profile package
- Built-in strain relief ,ideal for automated placement
- For use in low voltage ,high frequency inverters, free wheeling ,and polarity protection applications
- High temperature soldering guaranteed:260° C/10 seconds at terminals



SMC-DO-214AB



Dimensions in inches and (millimeters)

MECHANICAL DATA

- Case: JEDEC SMC(DO-214AB) molded plastic body
- Terminals: solder plated ,solderable per MIL-STD-750,method 2026
- Polarity: color band denotes cathode end
- Weight: 0.007ounce,0.21 gram

MAXIMUM RATINGS AND ELECTRICAL CHARACTERISTICS

(Ratings at 25°C ambient temperature unless otherwise specified ,Single phase ,half wave ,resistive or inductive load. For capacitive load,derate by 20%.)

	Symbols	SS 52	SS 53	SS 54	SS 55	SS 56	SS 58	SS 510	SS 515	SS 520	Units	
Maximum repetitive peak reverse voltage	V _{RRM}	20	30	40	50	60	80	100	150	200	Volts	
Maximum RMS voltage	V _{RMS}	14	21	28	35	42	57	71	105	140	Volts	
Maximum DC blocking voltage	V _{DC}	20	30	40	50	60	80	100	150	200	Volts	
Maximum average forward rectified current 0.375"(9.5mm) lead length(see fig.1)	I <sub(av)< sub=""></sub(av)<>	5.0									Amps	
Peak forward surge current 8.3ms single half sine-wave superimposed on rated load (JEDEC method at rated T _J)	I _{FSM}	150.0									Amps	
Maximum instantaneous forward voltage at 5.0 A(Note 1)	V _F	0.55			0.70		0.85		0.90	0.95	Volts	
Maximum instantaneous reverse current at rated DC blocking voltage(Note 1)	I _R	T _A = 25°C	0.2									mA
		T _A = 100°C	50			10						
Typical junction capacitance(Note 3)	C _J	500			400						pF	
Typical thermal resistance (Note 2)	R _{θJA}	55.0									°C/W	
	R _{θJL}	17.0										
Operating junction temperature range	T _J	-65 to +150									°C	
Storage temperature range	T _{STG}	-65 to +150									°C	

Notes: 1. Pulse test: 300 μs pulse width,1% duty cycle

2. P.C.B. mounted 0.55X0.55"(14X14mm) copper pad areas

3. Measured at 1MHz and reverse voltage of 4.0 volts

FIG. 1-FORWARD CURRENT DERATING CURVE

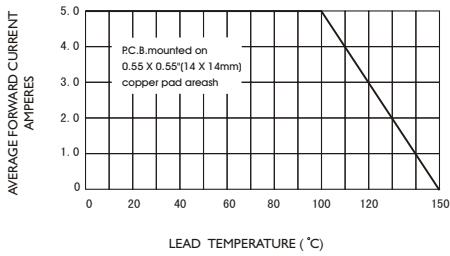


FIG.2-MAXIMUM NON-REPETITIVE PEAK FORWARD SURGE CURRENT

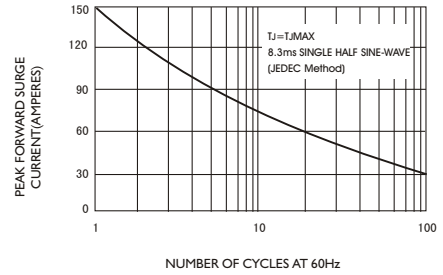


FIG.3-TYPICAL INSTANTANEOUS FORWARD CHARACTERISTICS

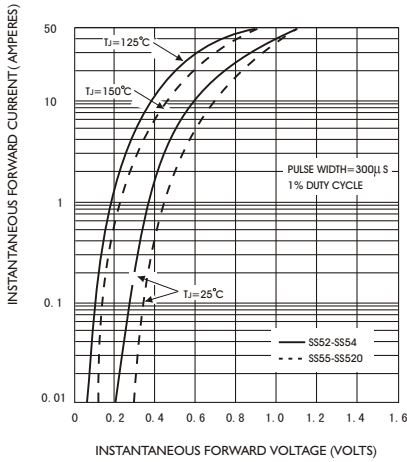


FIG.4-TYPICAL REVERSE CHARACTERISTICS

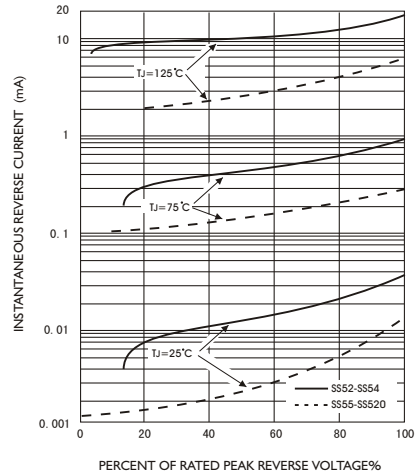


FIG.5-TYPICAL JUNCTION CAPACITANCE

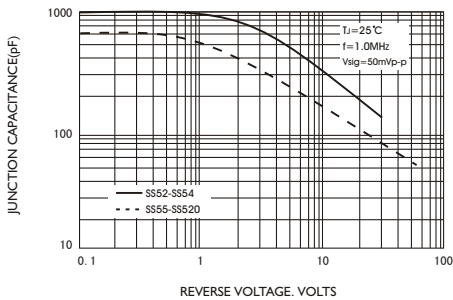


FIG.6-TYPICAL TRANSIENT THERMAL IMPEDANCE

